

TUF-N-LITE WALKBOARD  
ALUMINUM FRAME W/ PLYWOOD DECK



Covered by U.S. & Canadian Patents

- 4-Bolt hook designed for superior strength.
- Off-set hooks allow continuous decking.
- Superior extrusion design offering maximum strength where needed.
- Side rail extrusion protects the edge of the plywood.
- Plywood supported by aluminum cross members in center and at both ends of the walkboard.
- Designed to be easily repaired with no special tools required.

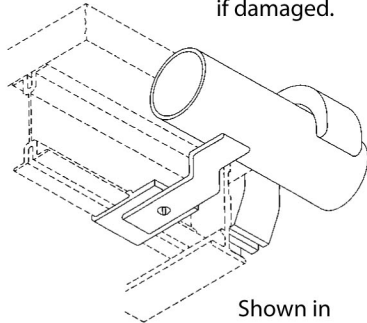
TUF-N-LITE WALKBOARD			
Part No.*	Description		Wt.#
0054-2 16	19" Wide x 7' Long	75 psf Capacity	32
0054-2 20-50	19" Wide x 10' Long	50 psf Capacity	40
0054-2 20	19" Wide x 10' Long	75 psf Capacity	45
0054-2 26	22" Wide x 7' Long	75 psf Capacity	35
0054-2 30	22" Wide x 10' Long	50 psf Capacity	44.5
0054-2 36	24" Wide x 7' Long	75 psf Capacity	37
0054-2 40	24" Wide x 10' Long	50 psf Capacity	50
0054-2 46	28" Wide x 7' Long	75 psf Capacity	39
0054-2 50	28" Wide x 10' Long	50 psf Capacity	54
0054-2 56	32" Wide x 7' Long	50 psf Capacity	47
TUF-N-LITE WALKBOARD FOR HEAVY DUTY APPLICATIONS			
0054-5 16	19" Wide x 7' Long	170 psf Capacity	32

\* For Type B Hook Style, replace the shaded 2 with 4 in the Part No.  
Other Tuf-N-Lite Walkboard sizes available - Contact factory.

WALKBOARD LOCK

Easily replaced if damaged.

Standard on Tuf-N-Lite Walkboards

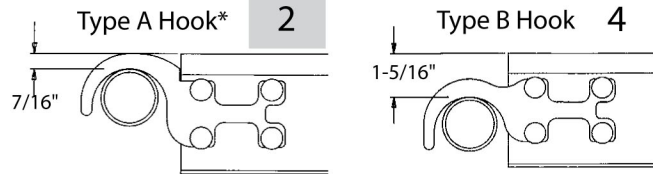


Shown in locked position.

4 BOLT HOOK STYLE (2 Types Available)

For hook replacement kits, see price list.

Covered by U.S. & Canadian Patents



\*Customer will receive Type A Hook Style unless otherwise requested.  
For Type B Hook Style, replace the shaded 2 with 4 in the Part No.

Tuf-N-Lite Walkboard

**NEW**

TUF-N-LITE WALKBOARD  
ALUMINUM FRAME W/ PLYWOOD DECK W/ ALUMINUM RUNGS



- Aluminum rungs added to underside of board allow for easier handling.

TUF-N-LITE WALKBOARD W/ ALUMINUM RUNGS			
Part No.*	Description		Wt.#
0054-1 2 16	19" Wide x 7' Long	75 psf Capacity	32
0054-1 2 20-50	19" Wide x 10' Long	50 psf Capacity	40
0054-1 2 20	19" Wide x 10' Long	75 psf Capacity	44

\* For Type B Hook Style, replace the shaded 2 with 4 in the Part No.  
Other Tuf-N-Lite Walkboard sizes available - Contact factory.

All photos and drawings are for illustration only. Always concerned with the improvement of the quality of this product, the manufacturer reserves the right to modify specifications without prior notice. Follow all applicable ANSI and OSHA Codes and Regulations for the use of this equipment. Do not use this product in areas where user can come in contact with live power.



Los Angeles Office/Warehouse  
www.sunsetladder.com

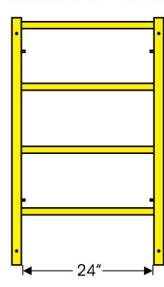
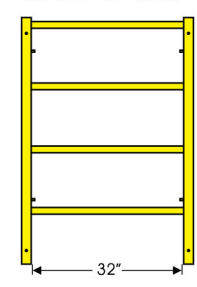
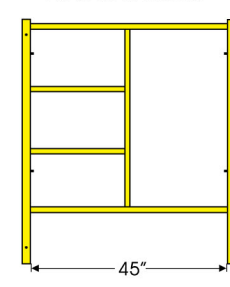
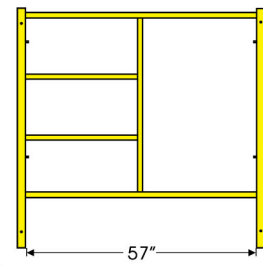
4421 Fountain Avenue  
Los Angeles, CA 90029

(800) 794-1112  
(323) 467-1190

Fax: (323) 665-0952

WALKBOARDS / CATWALKS

## INFORMATION TO KNOW WHEN ORDERING BIL-JAX WALKBOARDS

<p>For a 28"W Frame</p>  <p>Use a 22"W Walkboard</p>	<p>For a 36"W Frame</p>  <p>Use a 32"W Walkboard</p>	<p>For a 48"W Frame</p>  <p>Use 2-22"W Walkboards</p>	<p>For a 60"W Frame</p>  <p>Use 2-28"W Walkboards or Use 3-19"W Walkboards</p>
---	---	--	---

### TUF-N-LITE 2 WALKBOARD ALUMINUM FRAME W/ PLYWOOD DECK



- Hook design matches other competitive brands.
- Off-set hooks allow continuous decking.
- Superior extrusion design offering maximum strength where needed.
- Side rail extrusion protects the edge of the plywood.
- Plywood supported by aluminum cross members in center and at both ends of the walkboard.
- Designed to be easily repaired with no special tools required.

TUF-N-LITE 2 WALKBOARD			
Part No.	Description		Wt.#
0059-119-084	19" Wide x 7' Long	75 psf Cap.	27
0059-119-12050	19" Wide x 10' Long	50 psf Cap.	40
0059-119-120	19" Wide x 10' Long	75 psf Cap.	44

Other Tuf-N-Lite 2 Walkboard sizes available - Contact factory.

### TUF-N-LITE 2 WALKBOARD ALUMINUM FRAME W/ PLYWOOD DECK W/ ALUMINUM RUNGS

**NEW**



- Aluminum rungs added to underside of board allow for easier handling.

TUF-N-LITE 2 WALKBOARD W/ ALUMINUM RUNGS			
Part No.	Description		Wt.#
0059-219-084	19" Wide x 7' Long	75 psf Cap.	32
0059-219-12050	19" Wide x 10' Long	50 psf Cap.	43
0059-219-120	19" Wide x 10' Long	75 psf Cap.	47

Other X-Tru-Lite 7100 Series Walkboard sizes available - Contact factory.

## X-TRU-LITE/ALUMINUM WALKBOARDS

### 7100 SERIES



• Grooved Aluminum Deck

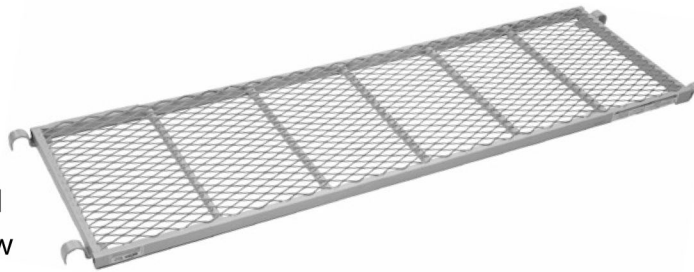
#### FEATURING:

- 3 Hook design.
- Extruded all aluminum.
- Off-set hooks allow continuous decking.
- Deck interlock design.
- Wind hold down latches.

X-TRU-LITE/ALUMINUM WALKBOARD - 7100 SERIES			
Part No.	Description		Wt.#
0055-216	19-1/4" Wide x 7' Long	75 psf Capacity	32
0055-220	19-1/4" Wide x 10' Long	50 psf Capacity	40

Other X-Tru-Lite 7100 Series Walkboard sizes available - Contact factory.

### X-PANDED STEEL WALKBOARD STEEL FRAME W/ EXPANDED STEEL DECK



- Expanded metal design does not allow dirt, liquid, mortar, etc. to accumulate on surface of walkboard.
- Extremely durable.
- Off-set hooks allow continuous decking.
- Also available in trussed design - see price list.

X-PANDED STEEL WALKBOARD			
Part No.	Description		Wt.#
0044-205	19" Wide x 7' Long	75 psf Capacity	45
0044-225	24" Wide x 7' Long	50 psf Capacity	52
0044-235	28" Wide x 7' Long	50 psf Capacity	56
0044-245	32" Wide x 7' Long	25 psf Capacity	62

Other X-Panded Steel Walkboard sizes available - Contact factory.

### STEEL WALKBOARD WITH GALVANIZED STEEL DECK



Perforated Steel Deck

STEEL WALKBOARD W/ GALVANIZED STEEL DECK			
Part No.	Description		Wt.#
0056-01-07	9" Wide x 7' Long	140 psf Capacity	32
0056-01-08	9" Wide x 8' Long	110 psf Capacity	34
0056-01-10	9" Wide x 10' Long	65 psf Capacity	41

Other Steel Walkboard sizes available - Contact factory.

All photos and drawings are for illustration only. Always concerned with the improvement of the quality of this product, the manufacturer reserves the right to modify specifications without prior notice. Follow all applicable ANSI and OSHA Codes and Regulations for the use of this equipment. Do not use this product in areas where user can come in contact with live power.



Los Angeles Office/Warehouse  
www.sunsetladder.com

4421 Fountain Avenue  
Los Angeles, CA 90029

(800) 794-1112  
(323) 467-1190

Fax: (323) 665-0952